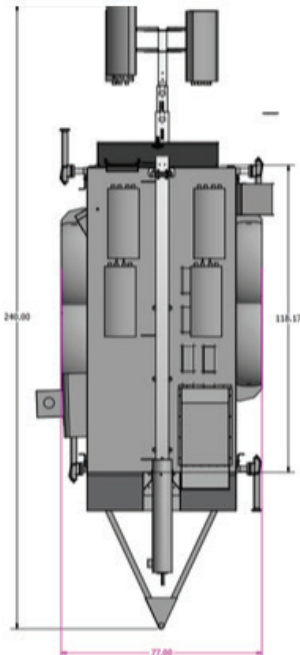
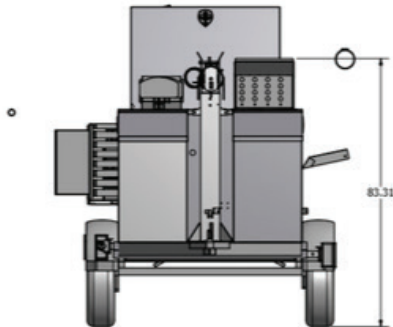
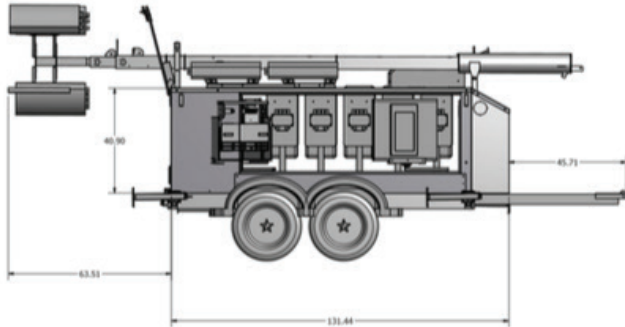


MOBILE CELLULAR TECHNOLOGY PLATFORMS - LTE



SPECIFICATIONS

MAST with Cabling

- 43 ft. Telescoping, 3 sections
- 340° Manual mast rotation capabilities
- Dual electric winches - single location control station
- Mast stabilization system
- Detachable multi-antenna/adjustable array mount
- Cable management system
- Pre-installed antenna coaxial cables
- Antenna bulkhead system: 22 coaxial conn.-2 RET's
- Mid-mast junction box - for add'l. accessory connections

Trailer

- Deployed: 177" x 77" x 83.5" (L x W x H)
 - Includes tongue length of 45.7"
 - Excludes extended outriggers
- Travel: 240" x 77" x 83.5"
- Gross weight: TBD
- Adjustable pintle trailer drop hitch - changeable ball size
- Radial tires: TT15205D
- Electric breaks
- 7 Pin wire towing harness for lighting and brakes
- 4 Extendable outriggers with jacks
- Heavy duty front wheel jack
- Dual latching, lockable, side doors (2)
 - Pressurized struts
- Single latching, lockable, back doors (1)
 - Pressurized struts
- Ventilated battery storage compartment
- Internal ambient cooling system with integrated filtration
- Fixed 360°, 5 MP, dome, network cam for remote viewing
- D.O.T. approved external safety lighting
- Dual 'swing out' equipment racking systems
- Electronic rack air conditioning system - 800 BTU
- External fiber optic connection port
- GPS
- 'Quick mount' racking system for multiple radios

MOBILE CELLULAR TECHNOLOGY PLATFORMS - LTE

EMBEDDED DIESEL GENERATOR

Cummins Onan QD 8000

8000 Watt Quiet Diesel
 Commercial Mobile
 Generator (120V 67A)



Engine	
Engine Brand	Kubota
Starting System	12-Volt Button Start
CC	719 CC
Consumer Engine Warranty	2 Years
Commercial Engine Warranty	2 Years
Low Oil Alert/Shutdown	Yes
Cast Iron Sleeve	Yes
Product Specs	
Voltage	120 Single-Phase
Frequency	60 Hertz
Alternator	Brushless
Auto Voltage Regulation	Yes
Surge Watts	8000 Watts
Rated Watts	8000 Watts
Fuel Type	Diesel
Rated Amps	67 @ 120 Volts (Single Phase) Amps
Decibel Rating @ 7m	Not Measured by Manufacturer
Idle Control	Yes
Hour Meter	Yes
Transfer Switch Circuits	
Circuit Breaker Type	2-Pole - 35A (120V)
Overview	
Weight	420 Pounds
Product Length	36.35 Inches
Product Width	24.23 Inches
Product Height	22.3 Inches
Consumer Warranty	2 Years
Commercial Warranty	2 Years
Model	8 HDKAU-41934

ELECTRICAL

Generator

- Generator installed in separate, ventilated compartment
- 40 Gallon fuel tanks (2 x 20 gallons)
- Locking fuel cap

Shore Power

- External 240 VAC power connection port

Battery Power

- Dual battery banks:
 - 12 Volt bank - 200Ah batt. pk. - AGM batteries
 - 48 Volt bank - 1200Ah batt. pk. - AGM batteries
- Safety fusing package for battery charging system

Power Control Module (PCM)

- Interior environmentally controlled cabinet
- LED lighting (auto on/off)
- 55 AMP IOTA charger for 12 volt system
- 150 Watt Sine Wave inverter
- Electronic equipment rack alarming outputs:
 - Door open, low fuel, generator running, generator failure

MPS Remote Status Monitoring

- System status and alarm reporting with remote control capabilities through MPS PowerBreaker:
 - Temperature monitoring, fuel level, door open status, battery voltage, battery currents, GPS, generator status and runtime

1 Year Manufacturer's Limited Warranty

